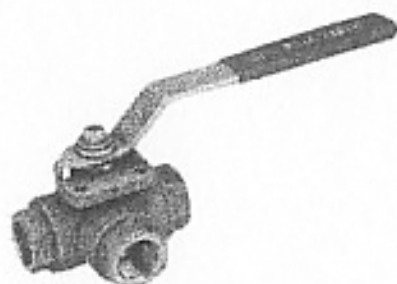
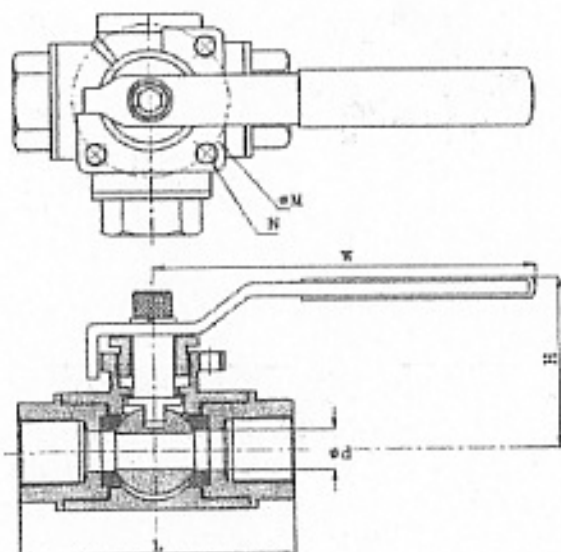


0003A06x

Valvola a sfera 3 vie  
AISI 316 - 70 bar  
Passaggio standardF/F/F  
Guarnizioni PTFE caricato 15% vetro  
Flangia ISO 5211

Da 1/4" a 2"



SIZE	ø d	L	H	Nm T	Nm L
1/4"	9.5	79	63		5.0
3/8"	9.5	79	63		5.0
1/2"	12.0	79	63	6.7	5.6
3/4"	15.0	88	75	9.0	8.4
1"	20.0	108	82	20.3	15.8
1 1/4"	25.0	124	88	28.2	20.3
1 1/2"	32.0	135	90	40.6	28.2
2"	40.0	164	100	56.4	39.5

PARTS NAME	MATERIAL
BODY	AISI 316
RETAINER	AISI 316
BALL	AISI 316
STEM	AISI 316
HANDLE	AISI 304
DISC	AISI 304
NUT & WASHER	AISI 304
BALL SEAT	R - PTFE
BODY SEAL	PTFE
STEM PACKING	PTFE
THRUST WASHER	PTFE
HANDLE SLEEVE	VINYL

